



# Marcle Leisure

Seat swivel plate and frame for Ford Transit 1986/97 - Manufactured by FASP

**Measurements are**

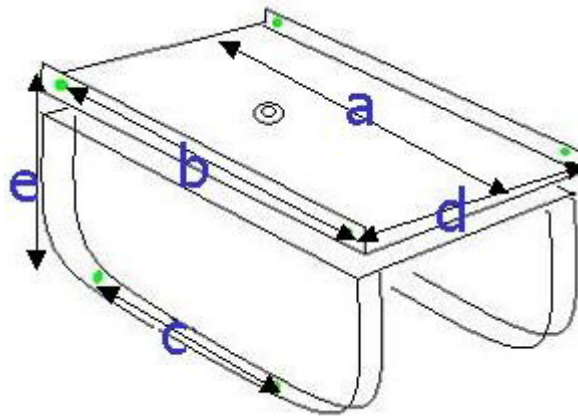
44.5cm front to back - A

41cm hole centres on the sides of the top plate - B

21cm hole centres on the base runners - C

36cm wide to outside edges - D

26cm high - E



Huntley's Farm Lane,  
Much Marcle,  
Nr. Ledbury,  
Herefordshire. HR8 2NB  
UNITED KINGDOM

Props. S.A. & C.A. Monkley  
VAT No.884-6234-92

Tel. : +44 (0) 1531 660 797  
Fax. : +44 (0) 1531 660 462  
Mob. : +44 (0) 777 305 7307  
Web : [www.marcleleisure.co.uk](http://www.marcleleisure.co.uk)