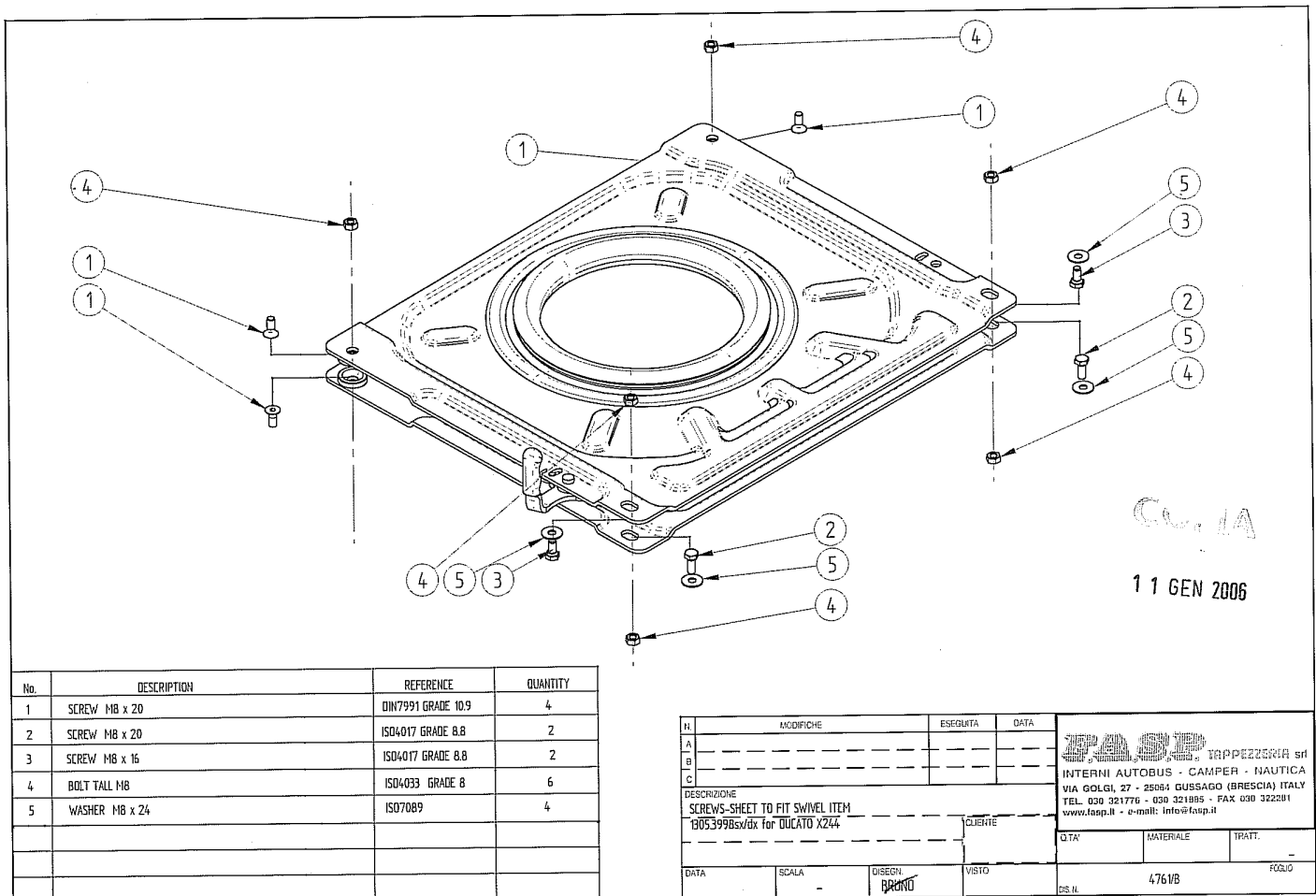


## Fitting Instructions for FASP seat swivels when used with standard seats on the Year 2002– 2006 DUCATO / BOXER commercial vehicles.

- 1) Detach seat belt from anchor point on rear end of seat slide.
- 2) Remove and retain all four nuts, bolts and washers, holding the seat to the slides. Lift seat from vehicle.
- 3) Remove the vertical bolts attaching the rear end of the sliders to the seat support frame, and the front horizontal bolts from the angled front end of the slide.
- 4) Saw off the downward projection from the front of the seat slider so that the slider will lie flat on the floor.
- 5) Drill a 9mm hole just behind the point where the saw cut was made in the slider, 308mm (between centres) from the existing rear hole.
- 6) Bolt modified slider to top surface of swivel with the cut end facing forward.
- 7) Bolt swivel lower surface to seat support frame using original bolts.
- 8) Replace seat on sliders in original position, fasten using good quality 8mm nuts, bolts and washers.
- 9) Refit seat belt to anchor point on slider.
- 10) Check sliders and swivel for smooth operation, check that all bolts are correctly tightened.

**IMPORTANT:** Please read these instructions carefully before proceeding, If in any doubt either contact a competent mechanic or ring your dealer.



No.	DESCRIPTION	REFERENCE	QUANTITY
1	SCREW M8 x 20	DIN7991 GRADE 10.9	4
2	SCREW M8 x 20	ISO4017 GRADE 8.8	2
3	SCREW M8 x 16	ISO4017 GRADE 8.8	2
4	BOLT TALL M8	ISO4033 GRADE 8	6
5	WASHER M8 x 24	ISO7089	4

N.	MODIFICHE	ESEGUITA	DATA
A			
B			
C			
DESCRIZIONE			
SCREWS SHEET TO FIT SWIVEL ITEM			
13053998sv/0x for DUCATO X244			
DATA			CLIENTE
DATA	SCALA	DISEGN.	TRATT.
		BRUNO	
		VISTO	
CS. N.			FOGLIO
476 MB			