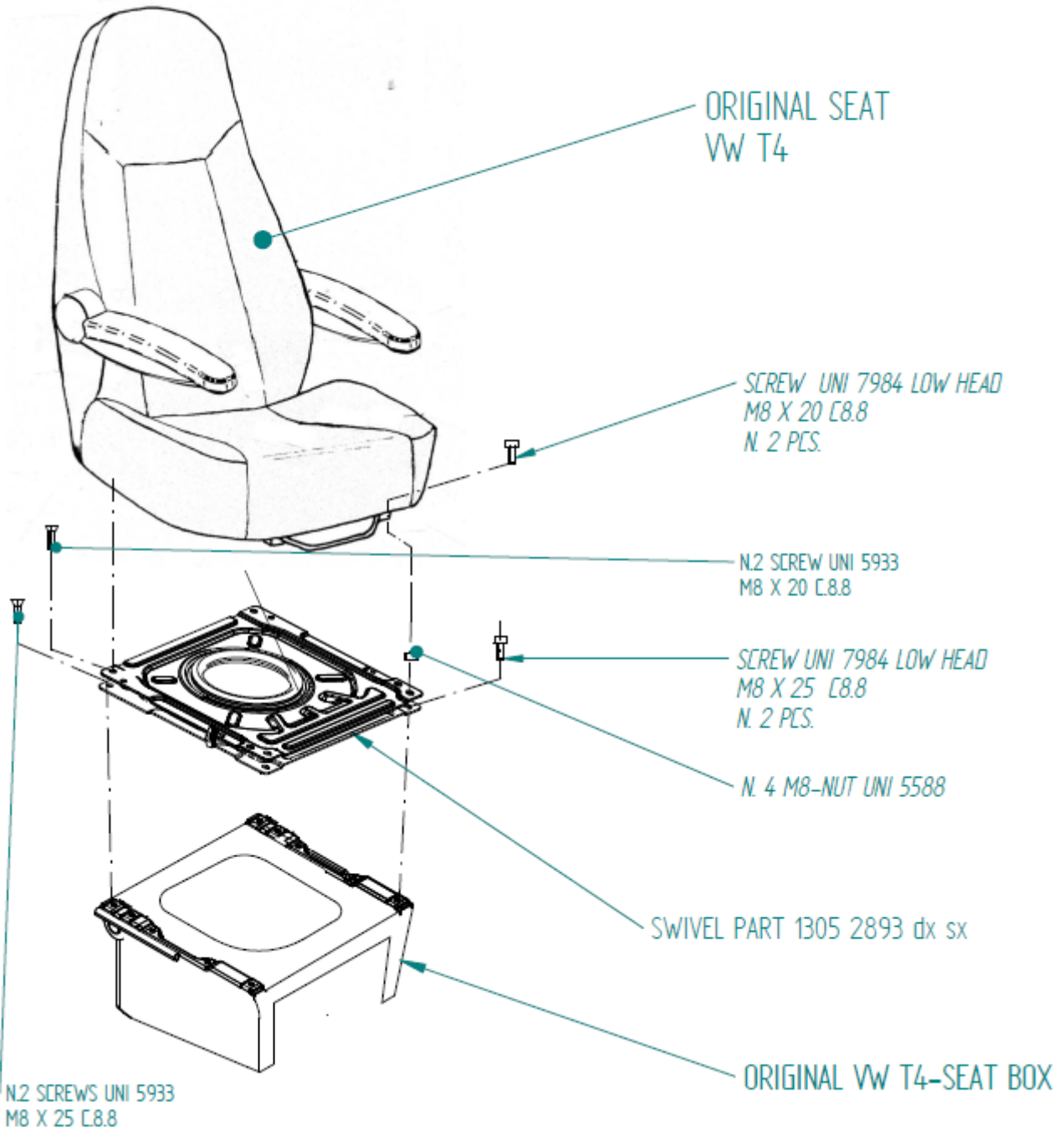


Fitting a FASP VW T4 97+ swivel.



Notes

Part numbers ending in sx are passenger. Dx are driver. This is based on UK right hand drive vehicles. For left hand drive the part numbers are opposite, along with the following instructions. The swivel pictured above is a passenger.

1. Disconnect vehicle battery if there are electrical connections underneath/to the seat. Ensure battery is disconnected before disconnecting any electrical connections. Not doing so could cause dashboard errors to light up.
2. Remove seat and seat runners.
3. Rotate swivel 45 degrees to reveal base mounting points. (this can be difficult as the swivels are built to rotate with the weight of the seat). Fix the swivel down to the seat base using the relevant fixings.
4. Carefully place the seat with the seat runners attached on top of the swivel. Fix the seat to the swivel with the relevant fixings. Reconnect any electrical connections by passing the connections through the central hole in the swivel.
5. Rotate the seat to the forward facing position to ensure the swivel latch engages. Check the seat runners move freely. Rotate the swivel to face the rear, you may need to move the seat forwards and backwards to clear handbrakes or vehicle b-pillars. Check that the electrical connections do not snag or catch. Once you are happy reconnect the vehicle battery.

Note: for drivers side swivels in 99% of vehicles it is necessary to lower the handbrake in order to swivel the seat. Ensure the vehicle is in gear before doing so and re-engage the handbrake after rotating the seat.